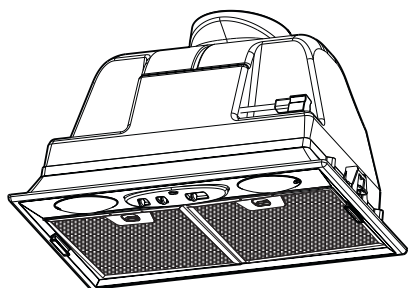


CCB 7140 XA

# Hood

## User Manual



**BEKO**

## Please read this user manual first!

Dear Customer,

Thank you for preferring a Beko product. We hope that you get the best results from your product which has been manufactured with high quality and state-of-the-art technology. Therefore, please read this entire user manual and all other accompanying documents carefully before using the product and keep it as a reference for future use. If you handover the product to someone else, give the user manual as well. Follow all warnings and information in the user manual.

Remember that this user manual is also applicable for several other models. Differences between models will be identified in the manual.

## Explanation of symbols

Throughout this user manual the following symbols are used:



Important information or useful hints about usage.



Warning for hazardous situations with regard to life and property.



Warning for electric shock.



Packaging materials of the product are manufactured from recyclable materials in accordance with our National Environment Regulations.

Do not dispose of the packaging materials together with the domestic or other wastes. Take them to the packaging material collection points designated by the local authorities.



This product was manufactured using the latest technology in environmentally friendly conditions.

**1 Recommendations and Suggestions 4**

1.1 Installation . . . . . 4  
 1.2 Use . . . . . 4  
 1.3 Maintenance . . . . . 5

**2 Characteristics 6**

2.1 Components. . . . . 6  
 2.2 Dimensions . . . . . 6  
 2.3 Technical Specifications . . . . . 6

**3 Installation 7**

3.1 Drilling the Support surface and Fitting the Hood . . . . . 7  
 3.2 Connection. . . . . 7  
 3.2.1 Ducted Version Air Exhaust System . . . . . 7  
 3.2.2 Recirculation Version Air Outlet . . . . . 8  
 3.2.3 Electrical Connection . . . . . 8

**4 Use 9**

4.1 Control panel . . . . . 9

**5 Maintenance 10**

5.1 Grease Filters. . . . . 10  
 5.1.1 Cleaning Metal Self- Supporting Grease Filters . . . . . 10  
 5.1.2 Cleaning Multilayer Metal Grease Filters . . 10  
 5.1.3 Replacing Synthetic Grease Filter . . . . . 10  
 5.2 Odour filters (Recirculation version) . . . . . 11  
 5.2.1 Replacing Activated Charcoal Filters . . . . . 11  
 5.3 Lighting . . . . . 11  
 5.3.1 Light Replacement. . . . . 11

# 1 Recommendations and Suggestions



The Instructions for Use apply to several versions of this appliance. Accordingly, you may find descriptions of individual features that do not apply to your specific appliance.

## 1.1 Installation

- The manufacturer will not be held liable for any damages resulting from incorrect or improper installation.
- The minimum safety distance between the cooker top and the extractor hood is 650 mm (some models can be installed at a lower height, please refer to the paragraphs on working dimensions and installation).
- Check that the mains voltage corresponds to that indicated on the rating plate fixed to the inside of the hood.
- For Class I appliances, check that the domestic power supply guarantees adequate earthing.
- Connect the extractor to the exhaust flue through a pipe of minimum diameter 120 mm. The route of the flue must be as short as possible.
- Do not connect the extractor hood to exhaust ducts carrying combustion fumes (boilers, fireplaces, etc.).
- If the extractor is used in conjunction with non-electrical appliances (e.g. gas burning appliances), a sufficient degree of aeration must be guaranteed in the room in order to prevent the backflow of exhaust gas. The kitchen must have an opening communicating directly with the open air in order to guarantee the entry of clean air.
- There shall be adequate ventilation of the room when the range hood is used at the same time as appliances burning gas or other fuels. (Not applicable to appliances that only discharge the air back into the room)
- There is a risk of fire if cleaning is not carried out in accordance with the instructions.
- Do not flambé under the range hood.
- Caution: Accessible parts may become hot when used with a cooking appliance.

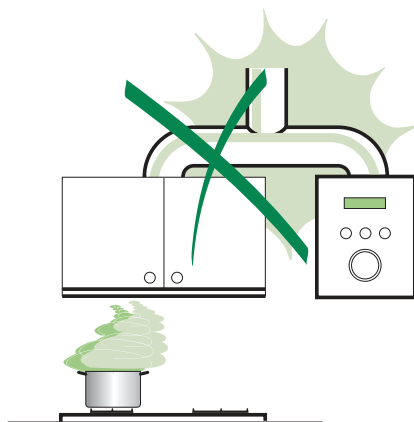
- The appliance is not intended for use by persons (including children) with reduced physical, sensory or mental capabilities, or lack of experience and knowledge, unless they have been given supervised or instruction concerning use of the appliance by a responsible person for their safety.
- Young children should be supervised to ensure that they do not play with the appliance.
- If the supply cord is damaged, it must be replaced by the manufacturer or its service agent or a similarly qualified person in order to avoid a hazard.

The instructions must include details concerning cleaning instructions and frequency of cleaning

## 1.2 Use

The extractor hood has been designed exclusively for domestic use to eliminate kitchen smells.

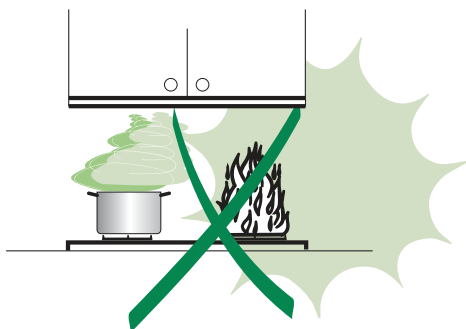
- Never use the hood for purposes other than for which it has been designed.
- Never leave high naked flames under the hood when it is in operation.
- Adjust the flame intensity to direct it onto the bottom of the pan only, making sure that it does not engulf the sides.
- Deep fat fryers must be continuously monitored during use: overheated oil can burst into flames.
- The hood should not be used by children or persons not instructed in its correct use.



# 1 Recommendations and Suggestions

## 1.3 Maintenance

- The exhaust air must not be discharged into a flue which is used for exhausting fumes from other appliances burning gas or other fuels. (Not applicable for appliances which only discharge air back into the room)
- The minimum distance between the supporting surface for the cooking vessels on the hob and the lowest part of the range hood: When the range hood is located above a gas appliance, this distance shall be 65cm. If the instructions for installation for the gas hob specify a greater distance, this must be taken into account. (The distance of 65cm can be reduced for non combustible parts of range hoods and parts operating at safety extra low voltage provided these parts do not give access to live parts. Distance may be reduced to 60cm to align with the AGA code.
- Regulations concerning the discharge of air have to be fulfilled
- Warning: Failure to install the screws or fixing device in accordance with the instructions may result in electrical hazards.
- Switch off or unplug the appliance from the mains supply before carrying out any maintenance work.
- Clean and/or replace the Filters after the specified time period (Fire hazard).
- Clean the hood using a damp cloth and a neutral liquid detergent.



## 2 Characteristics

### 2.1 Components

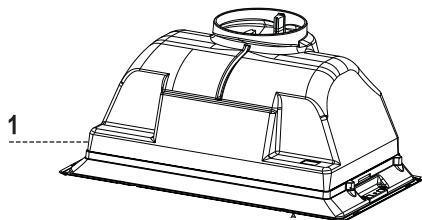
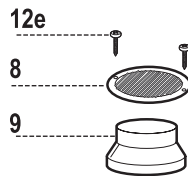
Ref.	Q.ty	Product Components
1	1	Hood Body, complete with: Controls, Light, Blower, Filters
8 1		Directional Air Outlet grille
9 1		Reducer Flange $\varnothing$ 150-120 mm

### Ref. Q.ty Installation Components

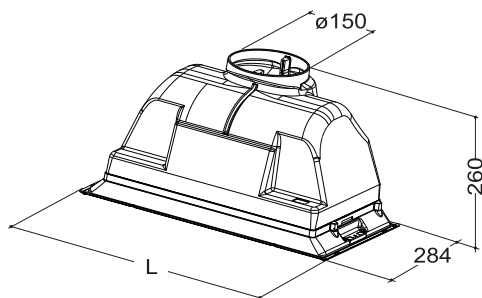
12e	2	Screws 2,9 x 9,5
-----	---	------------------

### Q.ty Documentation

1	1	Instruction Manual
---	---	--------------------



### 2.2 Dimensions



Hood Type	52	70
L1	522	702

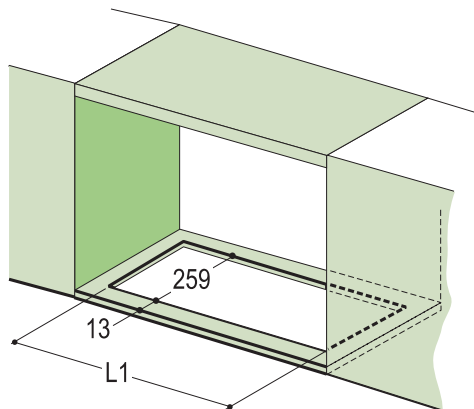
### 2.3 Technical Specifications

Width	702 mm
Depth	305 mm
Height	284 mm
Supply voltage	220 - 240 V, 50-60 Hz
Control	3 positions
Suction power	580 m <sup>3</sup> /h
Motor power	205 W
Lamp power	2X28 W
Total power	261 W
Air outlet pipe diameter	120 mm
Net weight	6,6 kg
Gross weight	9,3 kg

Markings on the product or the values stated in other documents supplied with the product are values obtained under laboratory conditions as per relevant standards. These values may vary according to the usage of the product and ambient conditions.

## 3 Installation

### 3.1 Drilling the Support surface and Fitting the Hood



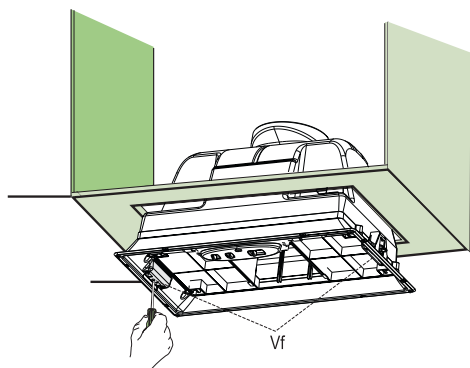
Hood Type	52	70
L1	497	677

Make a rectangular opening on the base of the hanging unit, leaving a minimum of 13 mm from the outer edges.

#### Snap-On Fitting

For hoods with snap-on side supports only, set up for a support panel thickness of between 15 mm and 30 mm.

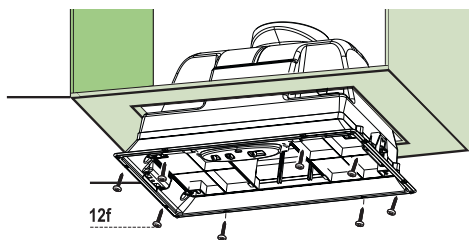
- Insert the hood until the side supports snap into place.
- Lock in position by tightening the screws Vf from underneath the hood.



#### Screw Fitting

For hoods without snap-on side supports only.

- Fix the hood to the hanging unit using the screws 12f (3.5x16 self-threading) provided.

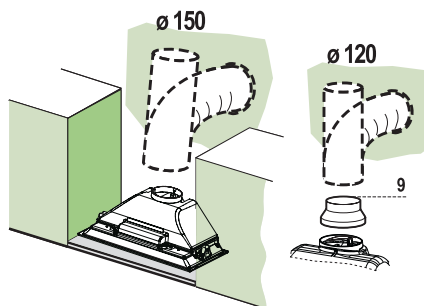


### 3.2 Connection

#### 3.2.1 Ducted Version Air Exhaust System

When installing the ducted version, connect the hood to the chimney using either a flexible or rigid pipe  $\varnothing$  120 or 150 mm, the choice of which is left to the installer.

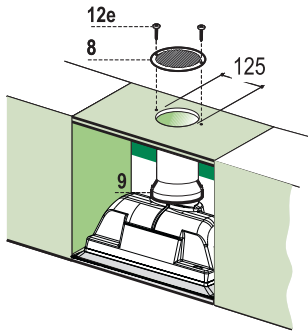
- To install a  $\varnothing$  120 mm air exhaust connection insert the reducer flange 9 on the hood body outlet.
- Fix the pipe in position using sufficient pipe clamps (not supplied).
- Remove any activated charcoal filters.



## 3 Installation

### 3.2.2 Recirculation Version Air Outlet

- Cut a hole  $\varnothing$  125 mm in the wall unit over the hood.
- Insert the reducer flange 9 on the hood body outlet.
- Connect the hood body outlet to the top part of the wall unit using a rigid or flexible pipe  $\varnothing$ 120 mm, to be selected by the installer.
- Fix the pipe in position using sufficient pipe clamps (not supplied).
- Fix the directional grille 8 on the recirculation air outlet using the 2 screws 12e (2,9 x 9,5) provided.
- Ensure that the activated charcoal filters have been inserted.

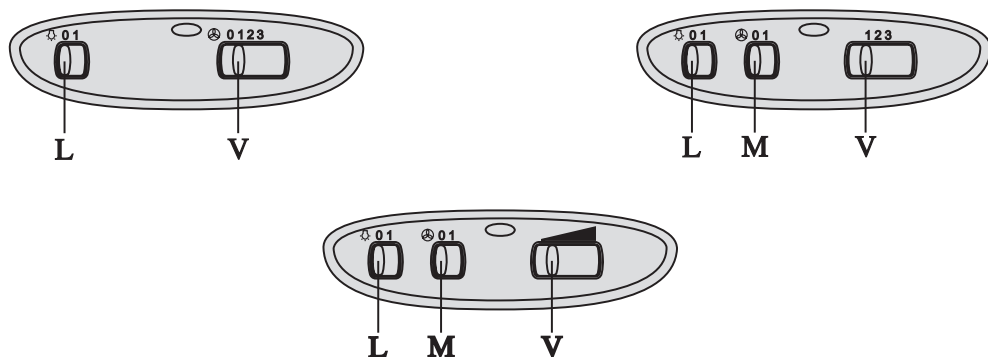


### 3.2.3 Electrical Connection

- Connect the hood to the mains through a two-pole switch having a contact gap of at least 3 mm.
- When opening the sliding carriage for the first time after installing the hood, pull it out briskly until it clicks.



## 4 Use



### 4.1 Control panel

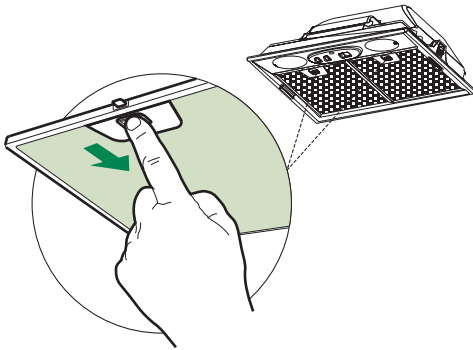
L	Light	Switches the lighting system on and off
M	Motor	Switches the extractor motor on and off
V	Speed	Sets the operating speed of the extractor: <ol style="list-style-type: none"><li>1. Low speed, used for a continuous and silent air change in the presence of light cooking vapour.</li><li>2. Medium speed, suitable for most operating conditions given the optimum treated air flow/noise level ratio.</li><li>3. Maximum speed, used for eliminating the highest cooking vapour emission, including long periods</li></ol>

# 5 Maintenance

## 5.1 Grease Filters

### 5.1.1 Cleaning Metal Self-Supporting Grease Filters

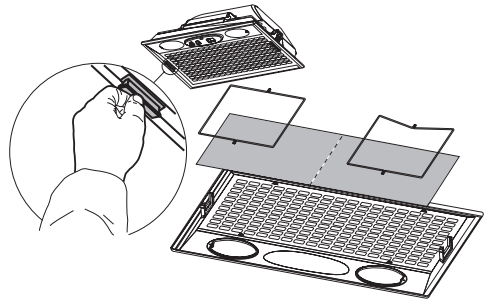
- The filters must be cleaned every 2 months of operation, or more frequently for particularly heavy usage, and can be washed in a dishwasher.
- Remove the filters one at a time by pushing them towards the back of the group and pulling down at the same time.
- Wash the filters, taking care not to bend them. Allow them to dry before refitting.
- When refitting the filters, make sure that the handle is visible on the outside.



### 5.1.2 Cleaning Multilayer Metal Grease Filters

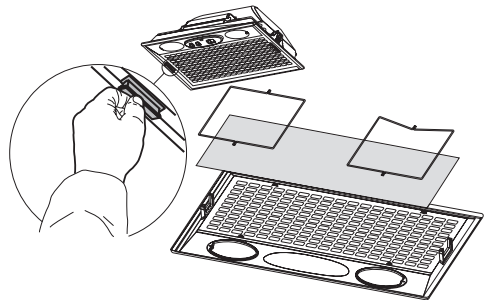
- The filters must be cleaned every two months of operation, or more frequently with heavy usage and can be washed in a dishwasher.
- Release the filter retaining grill using the lateral sliding handles.
- Remove the filter retaining clips.
- Remove and wash the filters. Allow them to dry before refitting.

- Replace the filters on the grill, fix them in position using the filter retaining clips and close the filter retaining grill.



### 5.1.3 Replacing Synthetic Grease Filter

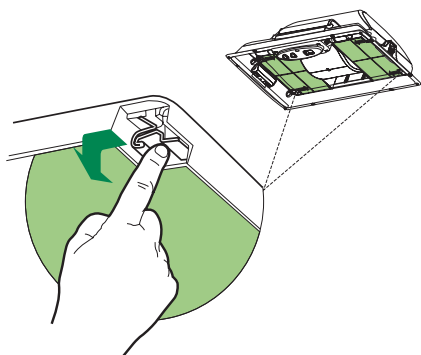
- The filter is not washable and cannot be regenerated, and must be replaced approximately every two months of use, or more frequently with heavy usage.
- Release the filter holder frame using the lateral sliding handles.
- Remove the filter retaining clips.
- Replace the saturated synthetic filter.
- Fix the new synthetic filter using the retaining clips and close the filter holder frame.



## 5.2 Odour filters (Recirculation version)

### 5.2.1 Replacing Activated Charcoal Filters

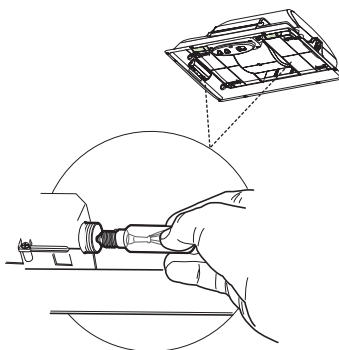
- These filters are not washable and cannot be regenerated, and must be replaced approximately every four months of operation, or more frequently with heavy usage.
- Remove the grease filters.
- Remove the saturated activated carbon filters by releasing the fixing hooks.
- Fit the new filters by hooking them into their seating
- Replace the grease filters.



## 5.3 Lighting

### 5.3.1 Light Replacement

- 28 W incandescent light
- Remove the metal grease filters, or open the filter retaining grill
- Unscrews the bulbs and replace them with new ones having the same characteristics.
- Replace the metal grease filters, or close the filter retaining grill.





## **Beko Manufacturers Guarantee**

Congratulations on purchasing a quality Beko product. Beko automatically provide you with a 2 year Manufacturers Guarantee, covering parts and labour for servicing within the geographical limits of Australia and New Zealand.

## **General Terms and Conditions**

### **For Australian Consumers**

This guarantee is an extra benefit and does not affect your legal rights. Our goods come with guarantees that cannot be excluded under the Australian Consumer Law. You are entitled to a replacement or refund for a major failure and for compensation for any other reasonably foreseeable loss or damage. You are also entitled to have the goods repaired or replaced if the goods fail to be of acceptable quality and the failure does not amount to a major failure.

### **For New Zealand Consumers**

This guarantee is an extra benefit and does not affect your legal rights. Nothing in this guarantee purports to modify or exclude the conditions, guarantees and undertakings, and other legal rights, under the New Zealand Consumer Guarantees Act and other laws, except in those circumstances contemplated by section 43(2) of the New Zealand Consumer Guarantees Act.

### **Beko Guarantee**

The Beko Manufacturers' Guarantee provides additional protection for your Beko Product, and it identifies a preferred approach to resolving product claims which will allow for a quick and simple process for all parties, subject to our terms and conditions below.

To enable us to assist you in the most expedient way please contact us by phoning the Toll free number (relative to your country of residence) as listed below. Please ensure you refer to your user manual and in particular the section headed "**Recommended Solutions for the problems**" before phoning.

The commencement date of this guarantee starts on the day of purchase and proof of purchase must be supplied to the Beko Service Centre prior to commencement of any guarantee work.

## Terms and Conditions

Beko Australia and New Zealand Pty Ltd guarantees to the original purchaser to repair, or at its option replace, without charge to the owner for any part which is not of 'acceptable quality' within two years of date of purchase.

**"No Lemon Guarantee" \*** if the product fails more than 2 times during the Guarantee period due to the same type failure caused by the same part, we will automatically replace the product with an equivalent product free of charge.

### Food Spoilage\*

If your product is a fridge or freezer, we will reimburse you for food which due to a valid fault as per our guarantee is spoilt; reimburse you as per the benefits below:

Up to 200 Litre	\$100.00
>200 Litre - 400 Litre	\$200.00
>400 Litre - 600 Litre	\$300.00
>600 litre	\$350.00

\* Subject to a valid claim under the terms and conditions of this Guarantee

To be eligible for this Guarantee the product must be purchased from an Authorised Reseller in Australia or New Zealand.

### What is not covered under this Guarantee

1. Any service calls in which the problem is found not to be caused or related to any defect in the Product. In this instance, the cost of the service call will be charged to you. Examples (but not limited too) of no product fault listed below:
  - a. Correcting the installation, e.g. levelling of product, adjustment of drain crossed or kinked hoses, leakage of hoses if incorrectly fitted, removal of transit bolts (front loading washers), noises due to water hammer and/or power supplies.
  - b. Replacing fuses or correcting house power wiring or house plumbing issues.
  - c. Failure due to incorrect set up or requiring instructions normally covered in user manual.
  - d. Blocked pumps, removal of foreign objects/substances from the washing machine, e.g. socks, bra wires, dirt etc.
  - e. Normal noise or vibration
  - f. Infestation of pests, insects or vermin

2. This Guarantee does not cover damage caused by:
  - a. Misuse or abuse of the Beko Product
  - b. Accidental damage of any kind
  - c. Rust and Corrosion where the product is located within a corrosive environment
  - d. Discolouration of burners or trivets on gas cooktops or chrome surrounds
  - e. Incorrect operation or not following the operation instructions as stated in the user manual.
  - f. Improper installation
  - g. Failure to clean or improper cleaning
  - h. Use of incorrect non – compliant electrical or gas connections
  - i. External sources including but not limited to electrical interference, power surges or voltage fluctuations.
  - j. Any loss caused by civil commotion
  - k. Any loss caused from extreme events of nature including but not limited to, flood, cyclone, severe storm and earthquake
  - l. Use of non genuine/authorised parts
  - m. Any repair or other work carried out on the Beko product other than by an Authorised Beko Service Personnel.
  
3. This Guarantee does not cover costs associated with replacing and servicing of consumable parts. E.g. lamps & bulbs, filters

This Guarantee has been designed for Products used in normal domestic environment. Our products are not designed for commercial use. Any commercial use may affect this Product's Guarantee.

Service under this Manufacturer's Guarantee is provided by the Beko Australia and New Zealand Authorised Repairer.

The Guarantee is provided by Beko Australia and New Zealand Pty Ltd (ABN: 49 152 055 162) of 55 Blanck Street, Ormeau, QLD Australia 4208, P O Box 354 Ormeau QLD Australia 4208.

In Australia if you need assistance.... Toll Free 1300 282 356

Email: [Beko.care@Beko.com](mailto:Beko.care@Beko.com)

In New Zealand if you need assistance.... Toll Free 0800 69 2356

Email: [Beko.care@Beko.com](mailto:Beko.care@Beko.com)

